

LR175

Add-On Wireless Receiver for Long Ranger Sound Systems



Fill in for your records:

Serial Number:

Purchase Date:

Adding a Second Wireless Channel to The Long Ranger

A very popular feature of the Long Ranger is the ability to add a second wireless channel to an existing system in the field. The Lectrosonics Add-On Receiver system was expressly designed for that purpose. The standard system consists of an Add-On receiver, an M175 transmitter and a microphone.

The Add-On receiver is supplied with velcro attaching strips and is equipped with the necessary cabling for making the connections to the Long Ranger. The receiver is installed on the Long Ranger by performing the following steps as shown in Figure 4:

- 1) The antenna cable for the Add-On is packed together with screws, lock washers and the velcro strips. The antenna cable is terminated with two ring lugs. Feed the lug end of this cable through the hole in the Long Ranger rear panel upright. Dress the cable along the speaker as shown in Figure 4.
- 2) Remove and discard the two black Phillips head screws from the bottom of the antenna strip on the right-hand side of the speaker and from the speaker mounting block. Using the supplied bright screws and lockwashers, connect the shield ring lug to the speaker mounting block. Connect the center conductor ring lug (with the clear insulation) to the antenna. Refer to Figure 4 to help distinguish between the wires. Tighten both screws securely.
- 3) The Add-On receiver is to be mounted on the Long Ranger upright with velcro. The receiver should be positioned, control panel up, between the horn mounting screw and the screw which secures the battery pack to the upright. Remove the paper backing from one side of the velcro and affix it to the back of the receiver. Remove the remaining paper backing and affix the receiver to the upright.
- 4) Route the antenna cable through the hole in the rear upright panel, above the battery pack so that the black and white wires reach the speaker mounting block. Connect the remaining two cables to the 12V DC OUTPUT jack and the LINE input jack on the control panel.

LR175 Add-On Receiver

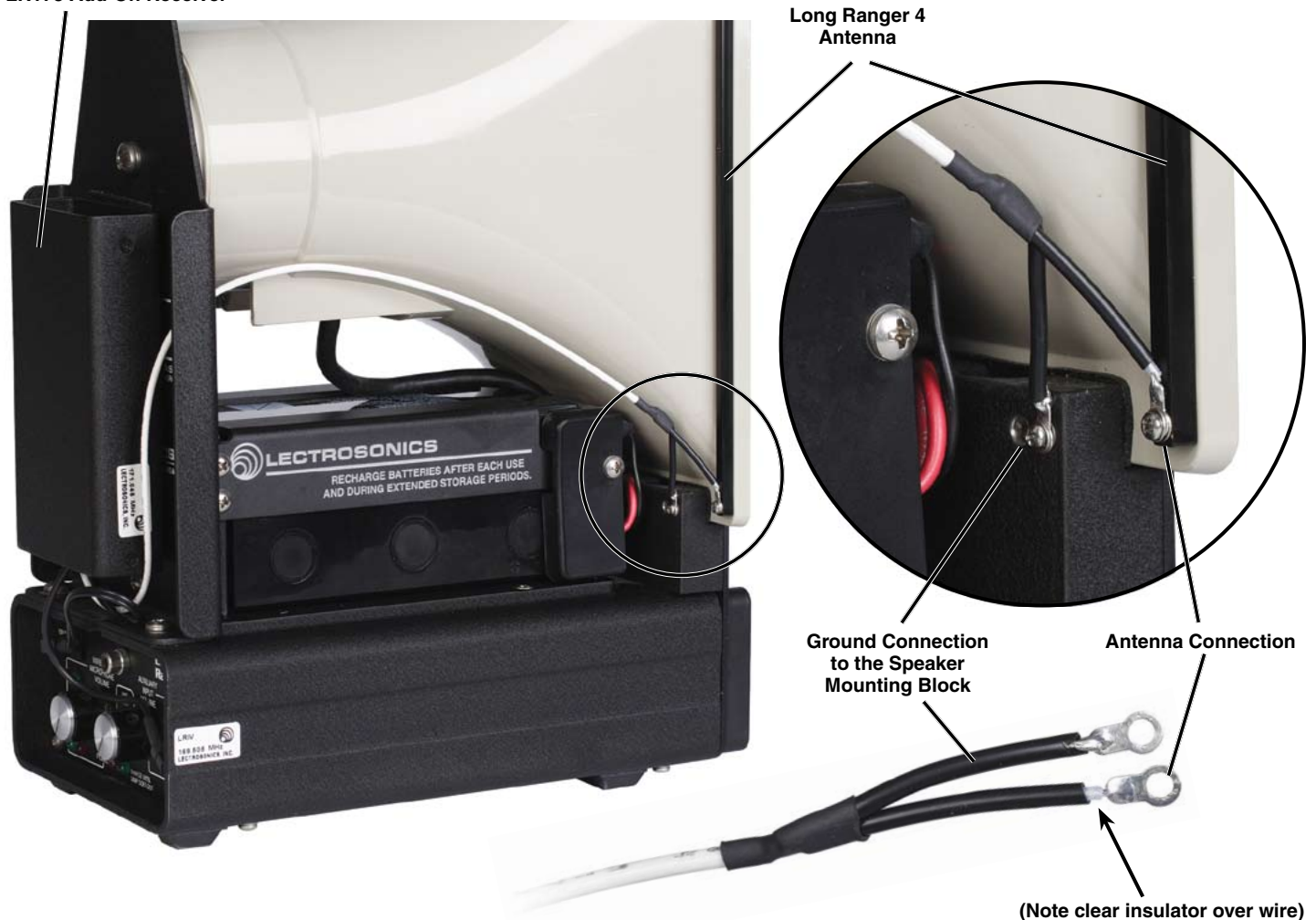
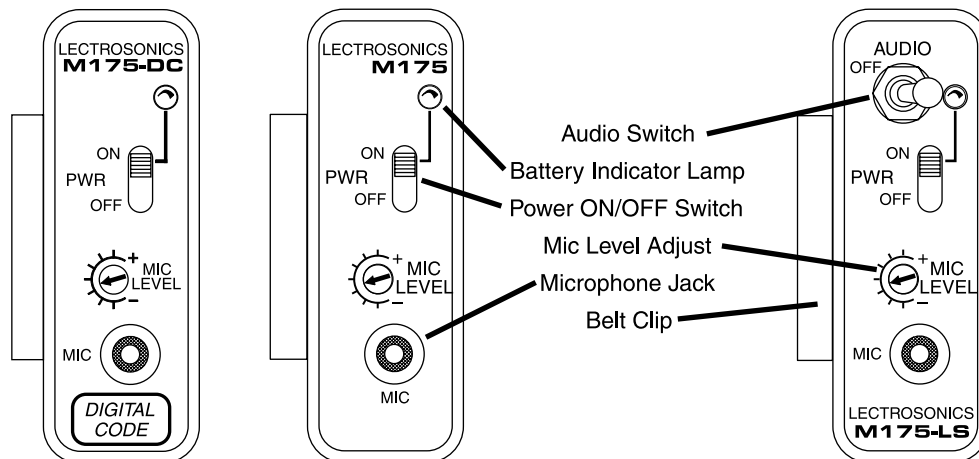


Figure 4 - Add-on Receiver Antenna Connections

Initial Adjustments to The Add-On Receiver System

- 1) Set up the Long Ranger system according to the Initial Equipment Adjustments in the Long Ranger manual.
- 2) Leave the Long Ranger power turned on. Set both volume controls on the Long Ranger control panel to minimum.
- 3) Turn the Add-On receiver power switch to "ON." Check to see that the power lamp comes on.
- 4) Plug the microphone into the transmitter that is on the same frequency as the Add-On receiver. The plug on the microphone is a twist-lock connector. Make sure there is a good connection. If you are using the head set microphone, turn the white level control knob on the headset fully clockwise (maximum).
- 5) Install the 9 Volt battery into the transmitter, turn the transmitter on and make sure the red LED on the transmitter glows brightly.
- 6) Check to see that the green "RF" LED on the Add-On receiver glows steadily. This verifies that the receiver is picking up a good radio signal from the transmitter.
- 7) This is the most important step in the set up procedure. Place the microphone in the exact position where you will be using it. Speak at the same voice level that you will use during actual operation. While you speak, use the supplied screwdriver to adjust the gain control on the transmitter side panel (see page 7) while you observe the MODULATION LEDs on the Add-On receiver front panel. The green LEVEL lamp should flicker or stay lit as you speak. The red LIMIT lamp should blink only on louder words.
- 8) Adjust the AUXILIARY INPUT VOLUME control on the Long Ranger control panel for the necessary loudness. If the transmitter gain controls have been correctly set on both the Longer Ranger 4 and the Add-On system, both volume control knobs on the Longer Ranger 4 panel will be in about the same position for equal loudness on both systems. It is not unusual, however, that one of the volume controls may need to be set higher or lower than the other one in normal use. Adjust the controls separately for adequate sound levels for each microphone.



Special Note to Dual Channel Users

If you are only using one of the two wireless systems, it is best to use the wireless system built into the Long Ranger and leave the Add-On receiver turned off. This will prevent unwanted noise, hiss or static that could occur in the unused receiver from entering the Long Ranger.

If it is necessary to use the Add-On receiver by itself, turn the WIRELESS MICROPHONE VOLUME control knob on the Long Ranger control panel to minimum. Then set the AUXILIARY INPUT VOLUME for the necessary loudness of the Add-On system.

Returning Units for Repair

For timely service, please follow the steps below:

- A.** DO NOT return equipment to the factory for repair without first contacting us by letter or by phone. We need to know the nature of the problem, the model number and the serial number of the equipment. We also need a phone number where you can be reached 8 A.M. to 4 P.M. (U.S. Mountain Standard Time).
- B.** After receiving your request, we will issue you a return authorization number (R.A.). This number will help speed your repair through our receiving and repair departments. The return authorization number must be clearly shown on the **outside** of the shipping container.
- C.** Pack the equipment carefully and ship to us, shipping costs prepaid. If necessary, we can provide you with the proper packing materials. UPS is usually the best way to ship the units. Heavy units should be "double-boxed" for safe transport.
- D.** We also strongly recommend that you insure the equipment, since we cannot be responsible for loss of or damage to equipment that you ship. Of course, we insure the equipment when we ship it back to you.

Mailing address:
Lectrosonics, Inc.
PO Box 15900
Rio Rancho, NM 87174
USA

Shipping address:
Lectrosonics, Inc.
581 Laser Rd.
Rio Rancho, NM 87124
USA

Telephone:
(505) 892-4501
(800) 821-1121 Toll-free
(505) 892-6243 Fax

Web:
www.lectrosonics.com

E-mail:
sales@lectrosonics.com

LIMITED ONE YEAR WARRANTY

The equipment is warranted for one year from date of purchase against defects in materials or workmanship provided it was purchased from an authorized dealer. This warranty does not cover equipment which has been abused or damaged by careless handling or shipping. This warranty does not apply to used or demonstrator equipment.

Should any defect develop, Lectrosonics, Inc. will, at our option, repair or replace any defective parts without charge for either parts or labor. If Lectrosonics, Inc. cannot correct the defect in your equipment, it will be replaced at no charge with a similar new item. Lectrosonics, Inc. will pay for the cost of returning your equipment to you.

This warranty applies only to items returned to Lectrosonics, Inc. or an authorized dealer, shipping costs prepaid, within one year from the date of purchase.

This Limited Warranty is governed by the laws of the State of New Mexico. It states the entire liability of Lectrosonics, Inc. and the entire remedy of the purchaser for any breach of warranty as outlined above. NEITHER LECTROSONICS, INC. NOR ANYONE INVOLVED IN THE PRODUCTION OR DELIVERY OF THE EQUIPMENT SHALL BE LIABLE FOR ANY INDIRECT, SPECIAL, PUNITIVE, CONSEQUENTIAL OR INCIDENTAL DAMAGES ARISING OUT OF THE USE OR INABILITY TO USE THIS EQUIPMENT EVEN IF LECTROSONICS, INC. HAS BEEN ADVISED OF THE POSSIBILITY OF SUCH DAMAGES. IN NO EVENT SHALL THE LIABILITY OF LECTROSONICS, INC. EXCEED THE PURCHASE PRICE OF ANY DEFECTIVE EQUIPMENT.

This warranty gives you specific legal rights. You may have additional legal rights which vary from state to state.



581 Laser Road NE • Rio Rancho, NM 87124 USA • www.lectrosonics.com
(505) 892-4501 • (800) 821-1121 • fax (505) 892-6243 • sales@lectrosonics.com

October 6, 2006