

# **R1**

## **UHF MULTI-FREQUENCY BELT-PACK IFB RECEIVER**

---

---

**OPERATING INSTRUCTIONS  
and trouble-shooting guide**

---

---

**LECTROSONICS, INC.**

Rio Rancho, NM

## SAFETY NOTES



Excessive sound levels can cause permanent hearing damage.

1. Always adjust the volume to the lowest level before listening to unknown transmissions.
2. Use the lowest reasonable level consistent with hearing safety.
3. Don't use high sound levels in the earphone to overcome high ambient sound levels. That is absolutely foolish! Demand and use high isolation earphones.
4. Don't expose your ears to sound levels that cause them to ring. If your ears do ring after exposure, think of it as a *warning bell* telling you not to do that again.

OSHA (Occupational Safety Health Administration) guidelines on the maximum allowable time exposure to sound pressure levels that will cause hearing damage are as follows:

8 Hours at 90 dB SPL  
4 Hours at 95 dB SPL  
2 Hours at 100 dB SPL  
1 Hour at 105 dB SPL  
30 Mins at 110 dB SPL  
15 Mins at 115 dB SPL

**NEVER expose your ears to 120 dB SPL or higher! Damage will occur.**

---

## INTRODUCTION

Thank you for selecting the Lectrosonics frequency agile, R1 IFB Receiver. The R1 is the result of extensive engineering experience with the very latest components. The design addresses the most demanding professional applications.

The Lectrosonics R1 Receiver along with the companion T1 transmitter allow on-air talent to monitor program audio, and to receive cues from directors and other production personnel.

The R1 Receiver is housed in a rugged, machined aluminum package for lasting performance in abusive environments

Only the R1 IFB Receiver is covered in this manual. The companion T1 transmitter is covered in a separate manual. The R1 IFB Receiver will operate with any Lectrosonics T1 IFB Transmitter in the same frequency block.

---

## TABLE OF CONTENTS

SAFETY NOTES .....	2
INTRODUCTION .....	3
GENERAL TECHNICAL DESCRIPTION .....	4
RECEIVER OPERATING INSTRUCTIONS .....	6
BATTERY INSTRUCTIONS .....	7
TROUBLESHOOTING .....	8
SPECIFICATIONS AND FEATURES .....	9
SERVICE AND REPAIR .....	10
RETURNING UNITS FOR REPAIR .....	10
WARRANTY .....	Back cover

## GENERAL TECHNICAL DESCRIPTION

The IFB R1 Receiver is comprised of a number of functional subsystems as shown in Fig 1, Control Panel and Fig 2, Receiver Block Diagram.

### GENERAL FEATURES

The frequency agile IFB R1 FM Receiver is designed to operate with the Lectrosonics IFB T1 Transmitter and features microprocessor control of 256 frequencies of operation within each frequency block. Each block covers 25.5 MHz with 0.1 MHz frequency spacing. Any one of ten different frequency blocks are factory available from 512 MHz to 805.5 MHz (except 608 to 614 MHz).

The receiver's unique microcontroller design provides simple one knob and one LED operation for audio level, switching channels, and easy on-the-fly programming. A nonvolatile memory "remembers" all stored channels during power OFF and returns operation to the last channel used when powered ON.

The IFB R1 Receiver uses 20 kHz FM deviation for efficient use of the bandwidth and a single band compandor for clean quiet audio.

The Pilot Tone squelch locks the reception to the mating IFB T1 Transmitter and ignores other signals.

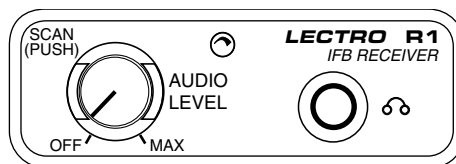
The receiver operates on one 9 Volt alkaline battery for up to 8 hours and features a blinking LED low battery indicator. The voltages are internally regulated for stability.

The receiver is housed in a compact, rugged, lightweight aluminum enclosure. The unit features a durable removable belt clip and an integral swing-aside battery compartment door.

### CONTROL KNOB (fig. 1)

The single front panel control knob performs multiple functions;

1. Rotate for Power ON/OFF
2. Rotate for Audio Level
3. Push quick, Channel Switching
4. Push and rotate for Scan and Channel programming,



*Figure 1 - R1 Control Panel*

Refer to the RECEIVER OPERATING INSTRUCTIONS for full details on how to use the single knob control for channel selection, scanning, and programming of the five memory locations.

### LED INDICATOR (fig. 1)

The LED indicator on the front panel also indicates multiple functions.

**CHANNEL NUMBER** - The LED will blink OFF a number of times corresponding to the Channel Number when the unit is switched ON and also when a new frequency is added to an open channel. For example, for channel 3 the LED would blink OFF three times. After blinking the channel number the LED will return to a steady ON indicating normal operation.

**BATTERY STATUS** - During normal operation a steady ON LED indicates a good battery. When the battery is nearly exhausted the LED will repetitively blink one long and two short blinks. Continued use will further deplete the battery causing the unit to automatically turn itself OFF until a fresh battery is installed.

**PROGRAMMING FUNCTIONS** - In the programming mode, the LED will blink at a fast rate to indicate scanning for an active frequency. It also flashes briefly to indicate a frequency has been programmed into a channel.

**HEADPHONE JACK (fig. 1)**

On the front panel is a 3.5mm mini phone jack to accommodate a standard mono or stereo type 3.5 mm plug. The unit will drive low or high impedance earphones. The jack is also the receiver antenna input with the earphone cord acting as the antenna. The cord length is not critical but must be at least 6 inches minimum.

**OUTPUT DRIVE LEVEL ADJUST (fig. 2)**

On one side of the receiver unit is a sliding door covering an Output Max Level screwdriver adjust potentiometer. The potentiometer can be adjusted to match high or low impedance earphones to prevent blasting.

**MONO PLUG/STEREO PLUG SWITCH (fig. 2)**

Also behind the sliding door is a Mono/Binaural switch. When using a single earphone with a mini phone plug (tip & shield), set the switch to MONO PLUG. To provide Monaural output to both earphones of a dual headset with a stereo mini plug (tip, ring & shield), set the switch to STEREO PLUG.



Figure 2 - Max Level and Mono Plug/Stereo Plug Switch

**Warning!** Do not insert a mono plug with the switch in the STEREO PLUG position. This will short the jack ring to the sleeve and cause high distortion and short battery life.

**MAX LEVEL (fig. 2)**

Headphones and ear pieces vary widely in their sensitivity and their impedance making it impossible to design a receiver with a fixed output power level that is correct for all situations. The MAX LEVEL control on the side of the receiver is used to adjust the maximum power that can be delivered to the user selected headphones. Low impedance phones (16 to 50 Ohms) will have the MAX LEVEL control set in a counter-clockwise direction to limit the maximum output power to a reasonable level. High impedance phones (600 to 2000) Ohms) will have an inherently lower power level due to their high impedance.

**ADJUSTING THE MAX LEVEL CONTROL**

Set the control fully counter-clockwise (minimum power level) then adjust the front panel volume control for the desired gain. If there is excessive distortion on loud sounds adjust the MAX LEVEL clockwise thereby increasing the power level. Use only the power level necessary for safe hearing levels.

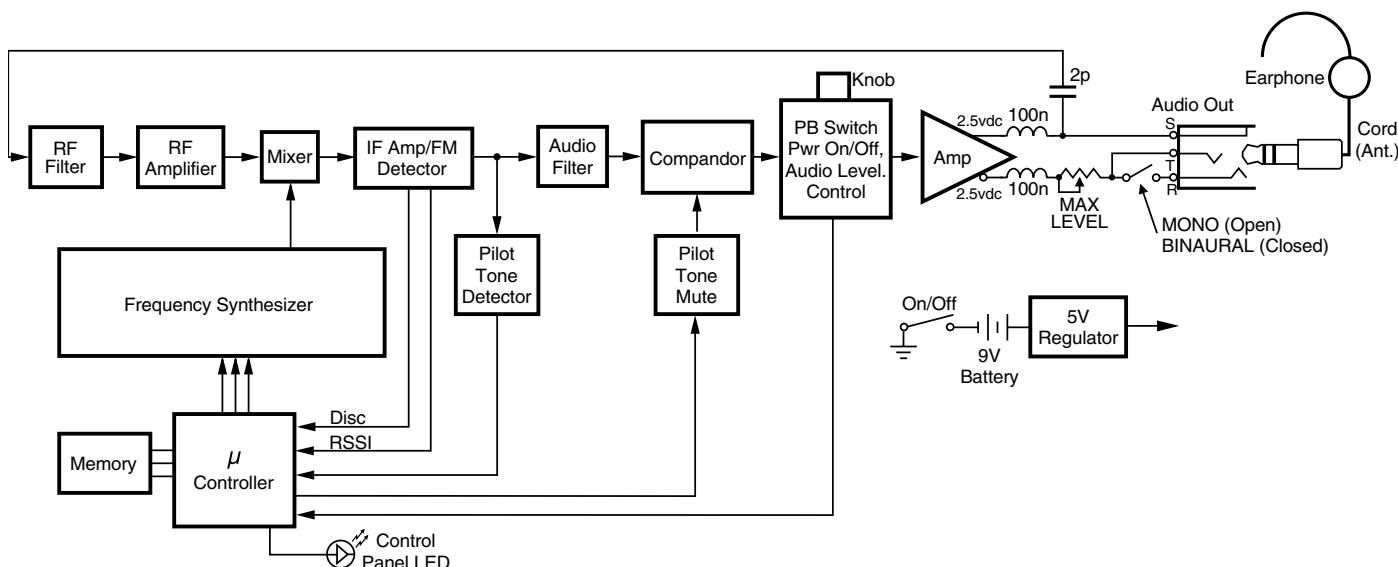


Figure 3 - R1 Block Diagram

## RECEIVER OPERATING INSTRUCTIONS

Before operating a receiver, one or more IFB T1 transmitters must be placed in XMIT mode, with each transmitter set to the desired frequency and connected to a proper antenna, audio source, and power source. The transmitter frequency block must be the same as the receiver frequency block as marked on each unit.

### RECEIVER NORMAL OPERATION (already programmed)

1. Plug an earphone or headset into the 3.5mm jack and set for MONO PLUG or STEREO PLUG. Be sure the unit has a good battery.
2. Rotate the knob clockwise to switch the power ON (Do NOT hold the knob in while switching power ON). The LED will blink corresponding to the channel number (1 thru 5). Rotate the knob to set the desired audio level.
3. To change channels, depress the knob briefly and release. The LED will blink the next channel number and the receiver will resume operation on that channel.
4. When power is switched OFF, the unit remembers the channel and will return to the same last used channel number when switched back on.

### PROGRAMMING - ADD A NEW FREQUENCY TO THE NEXT OPEN CHANNEL

1. Position the receiver at a location within 20 to 100 feet of the transmitter or transmitters.
2. With the power ON, depress the knob until the LED starts rapidly blinking, then release the knob.
3. The unit goes into program mode and does a scan/search. Previously programmed frequencies will be automatically skipped. When the unit stops on a new frequency audio from the transmitter will be heard in the earphone and the LED will stop blinking rapidly and will change to a slow blink mode. (Note: In units below serial number 850 the LED will change to steady ON, no blink.)

The unit is now waiting for an operator decision. You must now decide to either SKIP or STORE the frequency (step 4 or 5 below.) Switching the power to OFF without storing will delete the frequency.

4. To SKIP the frequency, depress the knob briefly and the scan/search will resume.
5. To STORE the frequency into a channel memory, depress the knob until the LED blinks the new channel number, then release the knob. The frequency is now stored in an open channel.
6. The unit will continue scan/search for other frequencies. To store more frequencies repeat steps 4 and 5 above. Up to 5 frequencies can be stored in memory channels.
7. When all desired frequencies are stored switch the power to OFF for a few moments, then switch back to ON. The unit will blink the last stored channel number and resume normal operating mode on the last channel stored.
8. The first scan is made at low sensitivity and searches for only *high* level transmitter signals to avoid intermods. If the receiver does not stop on any frequency in the first scan, that means an IFB transmitter was not detected. In this condition the LED will change from a fast blink to a slow blink indicating the end of the scan (the LED will remain steady ON in units below s/n 850). The complete scan should take 15 to 40 seconds.
9. If the receiver still does not stop on any frequency, check that the transmitter is ON. Also, if a frequency is not received or received but distorted, some other signal may be interfering on that frequency. Change the transmitter to another frequency and try again.

A second scan at high sensitivity is initiated by depressing the knob briefly at the end of the first scan to search for low level transmitter signals. When the scan stops and the transmitter audio is heard, either SKIP or STORE the frequency (step 4 or 5 above).

10. Switching the POWER to OFF during any mode simply terminates that mode and returns the unit to normal operating mode when the power is switched back to ON.

## ERASE ALL 5 CHANNEL MEMORIES

1. With power OFF, depress the knob and turn the unit ON. Continue to hold the knob down until the LED starts rapidly blinking. The memory is now erased and the unit will go into scan/search mode.
2. Continue from step 3 above PROGRAMMING - ADD NEW FREQUENCY....

## MULTIPLE TRANSMITTER SETUP

When using this IFB receiver in a search mode, with two or more transmitters running at the same time, the receiver may stop on a false signal under the following conditions:

1. Two transmitters are on and transmitting.
2. The distance from the transmitters to the IFB receiver is less than 5 feet.

The false hits are caused by intermodulation or mixing in the front end of the IFB receiver. At a 5 to 10 foot distance, the two carriers are so strong at the receiver, that even this well designed front end will mix the carriers and produce phantom frequencies. The IFB receiver then halts its scan and stops on these false frequencies. All receivers will exhibit this type problem at some transmitter power level and range. You notice false signals more with a scanning mode receiver since it will find them all.

Prevention is simple. Do one of the following:

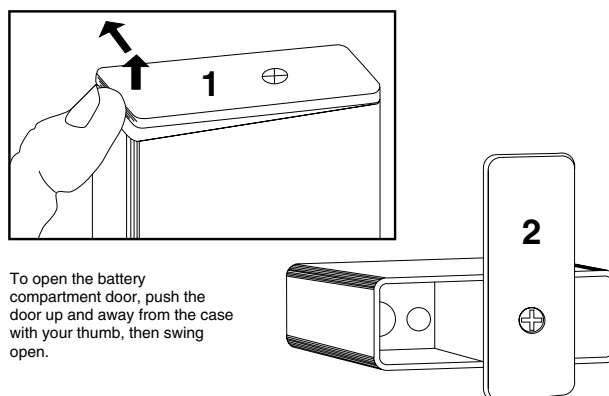
1. Do the scan with only one transmitter on at a time. (Time consuming)
2. Increase the receiver to transmitter distance to at least 10 feet. (Preferred)

## BATTERY INSTRUCTIONS

The battery you use in the R1 receiver should be a 9 Volt alkaline or lithium, available almost everywhere. An alkaline battery will provide up to 8 hours of operation and a lithium battery will provide up to 20 hours of operation. Carbon zinc batteries, even if marked "heavy duty" will only provide about 2 hours of operation. Rechargeable batteries will only operate the receiver for an hour or less. Make sure your batteries are marked "*alkaline*" or "*lithium.*" Short battery life is almost always caused by weak batteries or batteries of the wrong type.

A steady "*ON*" LED corresponds to a fresh battery. The LED will begin an alternating 3 short/long blink to indicate a low battery condition and the need for a fresh battery. Continued use will further deplete the battery eventually causing the LED to automatically turn itself off and remain off until a fresh battery is installed.

To replace the battery, open the bottom battery door cover with your thumb, rotate the door until it is perpendicular with the case and allow the battery to fall out of the compartment into your hand. It is difficult to install the battery backwards. Observe the large and small holes in the battery contact pad before inserting a new battery. Insert the contact end of the battery first, making sure the contacts are aligned with the holes in the contact pad, and then swing the door closed. You will feel it snap into place when it is fully closed.



To open the battery compartment door, push the door up and away from the case with your thumb, then swing open.

Figure 4 - Battery Replacement

---

## TROUBLESHOOTING

**SYMPTOM****POSSIBLE CAUSE**

---

**LED NOT LIT**

- Battery not installed or depleted
  - Power switch not on.
- 

**NO SOUND IN HEADPHONE**

- AUDIO LEVEL turned all the way down.
  - Headphone plug not inserted fully.
  - Defective headphone
  - Transmitter not operating. (See separate transmitter manual.)
  - Mono Plug /Stereo Plug switch set to wrong position
  - Receiver not on the same frequency as the transmitter. Refer to "Programming - Add a New Frequency" on page 7.
- 

**DISTORTED SOUND**

- Transmitter gain (audio level) is far too high. Check mod level lamps on transmitter as it is being used. (Refer to Operating Instructions section in the transmitter manual for details on gain adjustment.)
  - MAX LEVEL control may be set too low. See the GENERAL TECHNICAL DESCRIPTION section for proper adjustment.
  - Receiver output may be mismatched with the headset or earphone. Adjust Audio Level on receiver to the correct level for the headset or earphone.
  - Excessive wind noise or breath "pops." Reposition microphone and/or use a larger windscreen.
  - Receiver may be tuned to an intermod. Reprogram the receiver.
  - Mono Plug/Stereo Plug switch in the wrong position.
- 

**HISS AND NOISE,  
AUDIBLE DROPOUTS**

- Transmitter gain (audio level) far too low.
  - Receiver antenna missing or obstructed. (Headphone cable is the antenna.)
  - Transmitter antenna missing or obstructed.
  - Operating range too great.
- 

**SHORT RANGE**

- Receiver earphone cable is also the antenna. Make sure the cable is not coiled or wound up or wrapped around the receiver case.
- Improper transmitter antenna.

---

## SPECIFICATIONS AND FEATURES

<b>Operating frequencies:</b>	537.6 MHz to 608, 614 to 793.5 MHz (in 10 blocks)
<b>Number of frequencies:</b>	256 per block (using 26 MHz wide band)
<b>Channel spacing:</b>	100 kHz
<b>Frequency control:</b>	Crystal Controlled Phase Locked Loop
<b>Sensitivity:</b>	1 uv (20 dB SINAD)
<b>Signal/Noise ratio:</b>	95 dB A-weighted
<b>Squelch quieting:</b>	90 dB
<b>AM rejection:</b>	50 dB, 10 uv to 100 mv
<b>Modulation acceptance:</b>	±20 kHz
<b>Spurious rejection:</b>	Greater than 70 dB
<b>Third order intercept:</b>	0 dBm
<b>Frequency response:</b>	100 Hz to 10 kHz, (±1db)
<b>Pilot tone:</b>	29.997 kHz, 4.5 kHz deviation (fixed crystal controlled)
<b>Audio output, headphone:</b>	1 Vrms into 50 ohms minimum
<b>Antenna:</b>	Headphone cable
<b>Programmable memory:</b>	5 frequencies
<b>Front panel controls:</b>	Single knob controls Audio Output Level, Power on, programming and Scan Frequency Selection
<b>Indicators:</b>	1 red LED Indicator for power on, blinks to indicate channel number, blinks fast during scan, and has short/long blinking for low battery.
<b>Power requirement:</b>	Single 9V Alkaline Battery for approximately 8 hours operation.
<b>Power consumption:</b>	60 ma.
<b>Allen wrench for knob:</b>	0.035" (Lectro part number: 35854)
<b>Weight:</b>	7.3 oz with battery
<b>Size:</b>	3.6 x 2.4 x 0.8 inches (housing only, belt clip and knob extend beyond the housing.)

*Specifications subject to change without notice.*

## SERVICE AND REPAIR

If your system malfunctions, you should attempt to correct or isolate the trouble before concluding that the equipment needs repair. Make sure you have followed the setup procedure and operating instructions. Check out the interconnecting cords and then go through the TROUBLE SHOOTING section in the manual

We strongly recommend that you **do not** try to repair the equipment yourself and **do not** have the local repair shop attempt anything other than the simplest repair. If the repair is more complicated than a broken wire or loose connection, send the unit to the factory for repair and service. Don't attempt to adjust any controls inside the units. Once set at the factory, the various controls and trimmers do not drift with age or vibration and never require readjustment. **There are no adjustments inside that will make a malfunctioning unit start working.**

LECTROSONICS' service department is equipped and staffed to quickly repair your equipment. In warranty repairs are made at no charge in accordance with the terms of the warranty. Out of warranty repairs are charged at a modest flat rate plus parts and shipping. Since it takes almost as much time and effort to determine what is wrong as it does to make the repair, there is a charge for an exact quotation. We will be happy to quote approximate charges by phone for out of warranty repairs.

## RETURNING UNITS FOR REPAIR

You will save yourself time and trouble if you will follow the steps below:

**A. DO NOT** return equipment to the factory for repair without first contacting us by letter or by phone. We need to know the nature of the problem, the model number and the serial number of the equipment. We also need a phone number where you can be reached 8 am to 4 pm (Mountain Standard Time).

**B.** After receiving your request, we will issue you a return authorization number (R.A.). This number will help speed your repair through our receiving and repair departments. The return authorization number must be clearly shown on the outside of the shipping container.

**C.** Pack the equipment carefully and ship to us, shipping costs prepaid. If necessary, we can provide you with the proper packing materials. UPS is usually the best way to ship the units. Heavy units should be "double-boxed" for safe transport.

**D.** We also strongly recommend that you insure the equipment, since we cannot be responsible for loss of or damage to equipment that you ship. Of course, we insure the equipment when we ship it back to you.

**Mailing address:**

Lectrosonics, Inc.  
PO Box 15900  
Rio Rancho, NM 87174  
USA

**Shipping address:**

Lectrosonics, Inc.  
581 Laser Rd.  
Rio Rancho, NM 87124  
USA

**Telephones:**

Regular: (505) 892-4501  
Toll Free (800) 821-1121  
FAX: (505) 892-6243

**World Wide Web:** <http://www.lectrosonics.com>

**Email:** [sales@lectrosonics.com](mailto:sales@lectrosonics.com)

## NOTES

## LIMITED ONE YEAR WARRANTY

The equipment is warranted for one year from date of purchase against defects in materials or workmanship provided it was purchased from an authorized dealer. This warranty does not cover equipment which has been abused or damaged by careless handling or shipping. This warranty does not apply to used or demonstrator equipment.

Should any defect develop, Lectrosonics, Inc. will, at our option, repair or replace any defective parts without charge for either parts or labor. If Lectrosonics, Inc. cannot correct the defect in your equipment, it will be replaced at no charge with a similar new item. Lectrosonics, Inc. will pay for the cost of returning your equipment to you.

This warranty applies only to items returned to Lectrosonics, Inc. or an authorized dealer, shipping costs prepaid, within one year from the date of purchase.

This Limited Warranty is governed by the laws of the State of New Mexico. It states the entire liability of Lectrosonics Inc. and the entire remedy of the purchaser for any breach of warranty as outlined above. NEITHER LECTROSONICS, INC. NOR ANYONE INVOLVED IN THE PRODUCTION OR DELIVERY OF THE EQUIPMENT SHALL BE LIABLE FOR ANY INDIRECT, SPECIAL, PUNITIVE, CONSEQUENTIAL, OR INCIDENTAL DAMAGES ARISING OUT OF THE USE OR INABILITY TO USE THIS EQUIPMENT EVEN IF LECTROSONICS, INC. HAS BEEN ADVISED OF THE POSSIBILITY OF SUCH DAMAGES. IN NO EVENT SHALL THE LIABILITY OF LECTROSONICS, INC. EXCEED THE PURCHASE PRICE OF ANY DEFECTIVE EQUIPMENT.

This warranty gives you specific legal rights. You may have additional legal rights which vary from state to state.

### **LECTROSONICS, INC.**

---

581 LASER ROAD  
RIO RANCHO, NM 87124 USA

November 19, 2001